

4

3

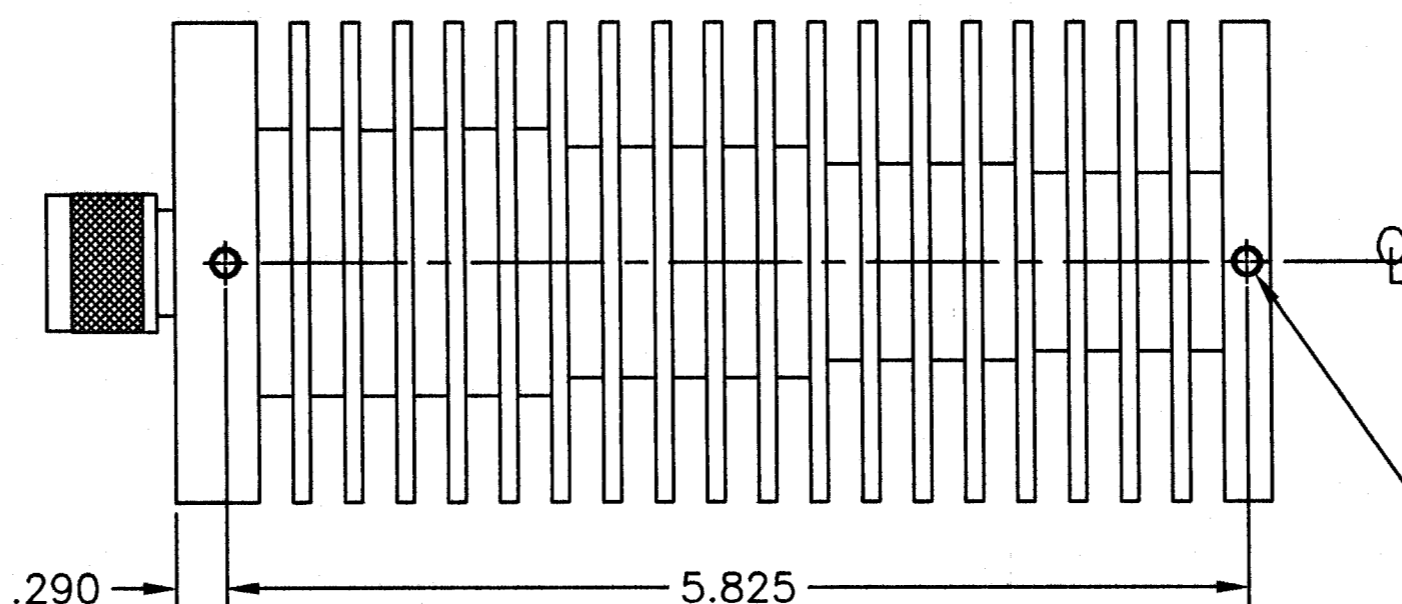
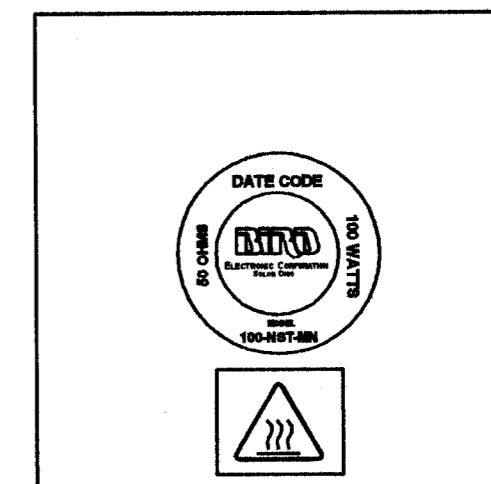
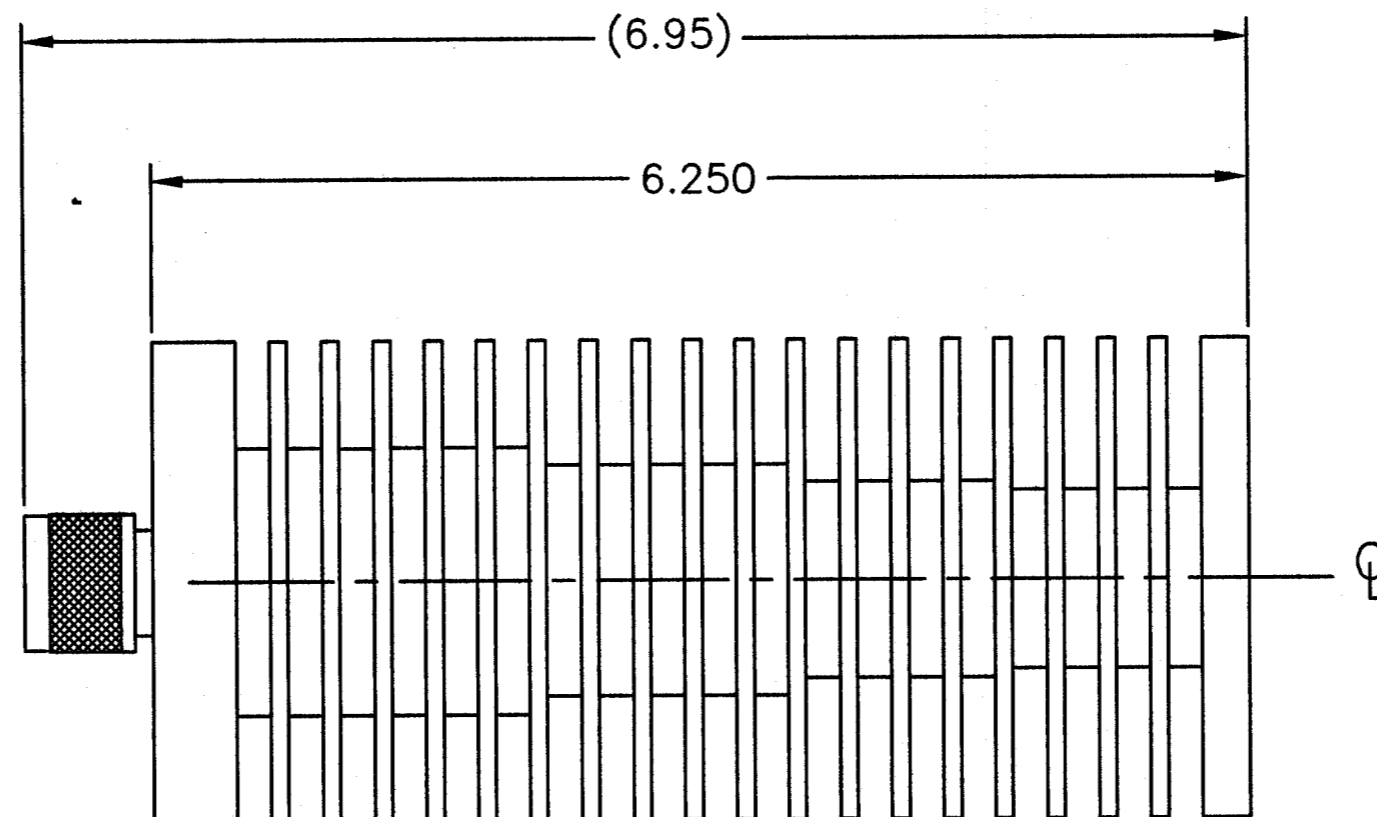
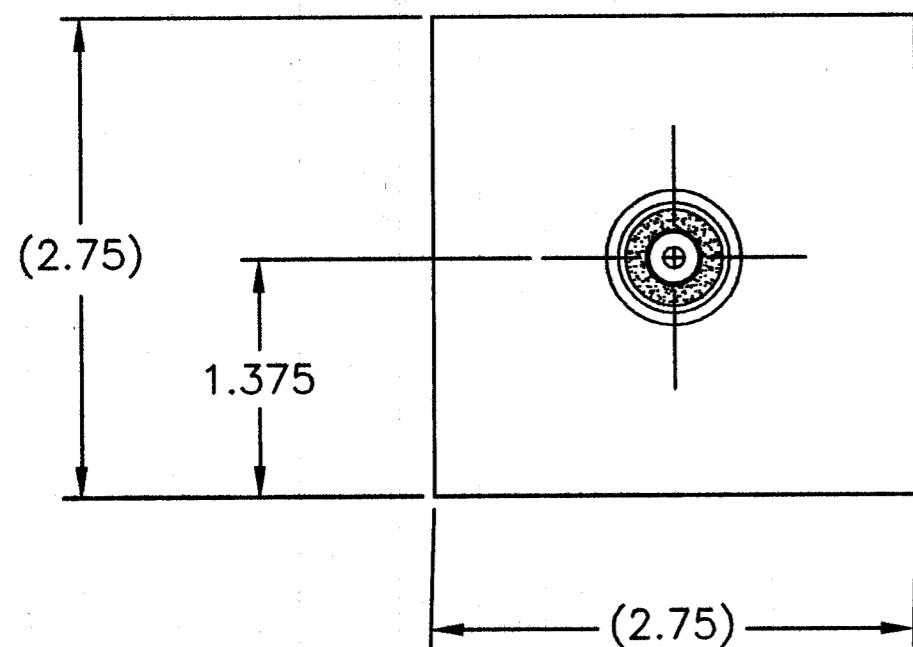
2

1

REVISIONS		DWG. NO.	100-NST-MN	SHEET	REV
ZONE	REV	DESCRIPTION	DATE	1	A
	A	CONVERT TO BEC FORMAT	DMR 3-3-03		me

SPECIFICATIONS:

IMPEDANCE: 50 OHMS NOMINAL  
 FREQUENCY RANGE: DC TO 3 GHz  
 VSWR: DC TO 1GHz AT 1.10:1 MAX.  
 1GHz TO 3 GHz AT 1.15:1 MAX.  
 POWER RATING: 100 WATTS MAX. @ 25°C.  
 SUBSTRATE: ALUMINUM NITRIDE  
 COOLING FIN: ALUMINUM, BLACK ANODIZED  
 HEAT SPREADER: ALUMINUM, TRI-ALLOY PLATED  
 CONNECTOR: N-TYPE MALE, TRI-ALLOY PLATED  
 OPERATING POSITION: ANY  
 NOMINAL SIZE: APPROX. 6.95" L. X 2.75" SQ.  
 WEIGHT: 42 OZ. MAX.



2x 6-32UNC-2B X .375 DEEP MOUNTING HOLES

NOTES:

- ☒ 1. PART MUST BE BURR FREE.
- ☒ 2. CHAMFER 1st THREAD.
- ☒ 3. 63 MICROINCH UNLESS OTHERWISE SPECIFIED.
- ☐ 4. PER BPS \_\_\_\_\_.
- ☒ 5. .005 RADIUS ON ALL INSIDE & OUTSIDE CORNERS UNLESS OTHERWISE SPECIFIED.

DIMENSIONS HEREON ARE FOR CUSTOMER CONVENIENCE AND REFERENCE ONLY. TOLERANCE TO BE APPLIED ONLY WHERE INDIVIDUALLY STATED ON THE RESPECTIVE DIMENSION. -DO NOT SCALE DRAWING-

UNLESS OTHERWISE SPECIFIED DIMENSIONS ARE IN INCHES TOLERANCES ARE:		MILLIMETERS X = ±.4 XX = ±.12		THIS DRAWING IS THE PROPERTY OF THE BIRD ELECTRONIC CORPORATION. THE DESIGNS AND SPECIFICATIONS DISCLOSED HEREON ARE PROPRIETARY AND SHALL NOT BE REPRODUCED, NOR COPIED, NOR USED AS THE BASIS FOR THE MANUFACTURE OR SALE OF APPARATUS OR DEVICES WITHOUT THEIR EXPRESS WRITTEN CONSENT.					
FRACTIONS DECIMALS ANGLES ± 1/64 .001 ± 30'		DO NOT SCALE DRAWING		APPROVALS		DATE		TITLE	
MATERIAL				DRAWN D.M.RINK		3-3-03		TERMINATION, CONVECTION COOLED AXIAL N-TYPE MALE, AIN SUBSTRATE, 100W	
FINISH				CHECKED				SIZE FSCM NO. DWG. NO. REV	
				APPROVED <i>MARV</i>		6-15-03		C 70998 100-NST-MN A	
				AUTOCAD				SCALE 1:1 COMM CODE LD1 SHEET 1 OF 1	

4

3

2

1